

Concealed Basin/Kitchen Mixer

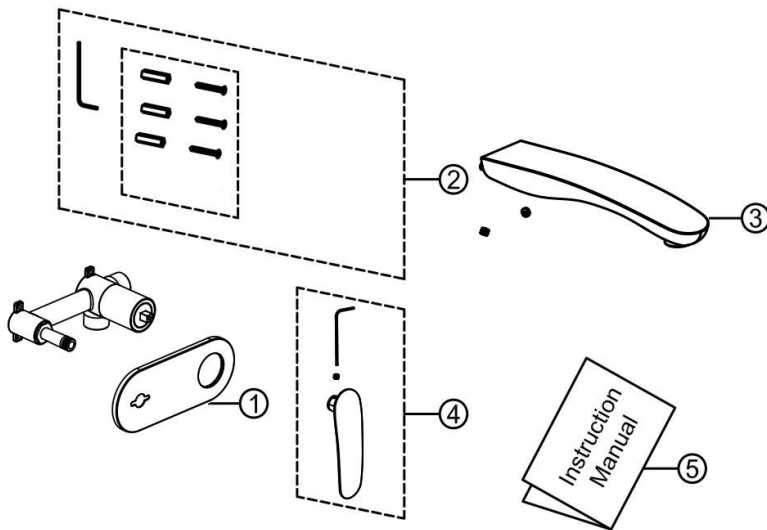
i、 Accessories Checking:

LIST OF THE STANDARD ACCESSORIES.

Notes: 1. Any new changes without pre-notifications if without influencing your usage.

2. The picture in this drawing are for your reference,the products appearance should be in accordance with the real ones.

1.TYPE A



NO.	Part Name	QTY
1	Faucet Body	1
2	Installation Accessories	1
	Hexagonal Head Screw	2
	Steel Box	1
3	Spout	1
4	Handle Accessories	1
5	Instruction Manual	1

The usage of handle:

A) Lift handle will turn on faucet,the wider the lifting angle,the stronger the water flows or vice versa.See Fig 1 .

B) When handle is lifted,rotating handle lever towards left will allow greater hot water flows,rotating handle lever towards right will allow greater cold water flows.See Fig 2.

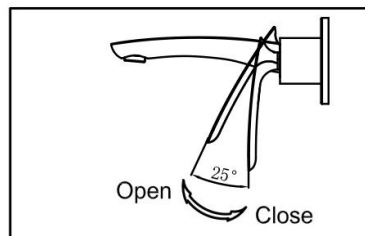


Fig 1

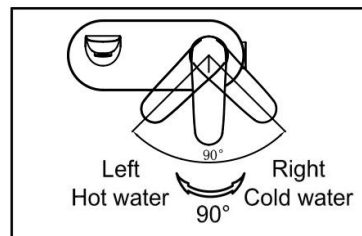
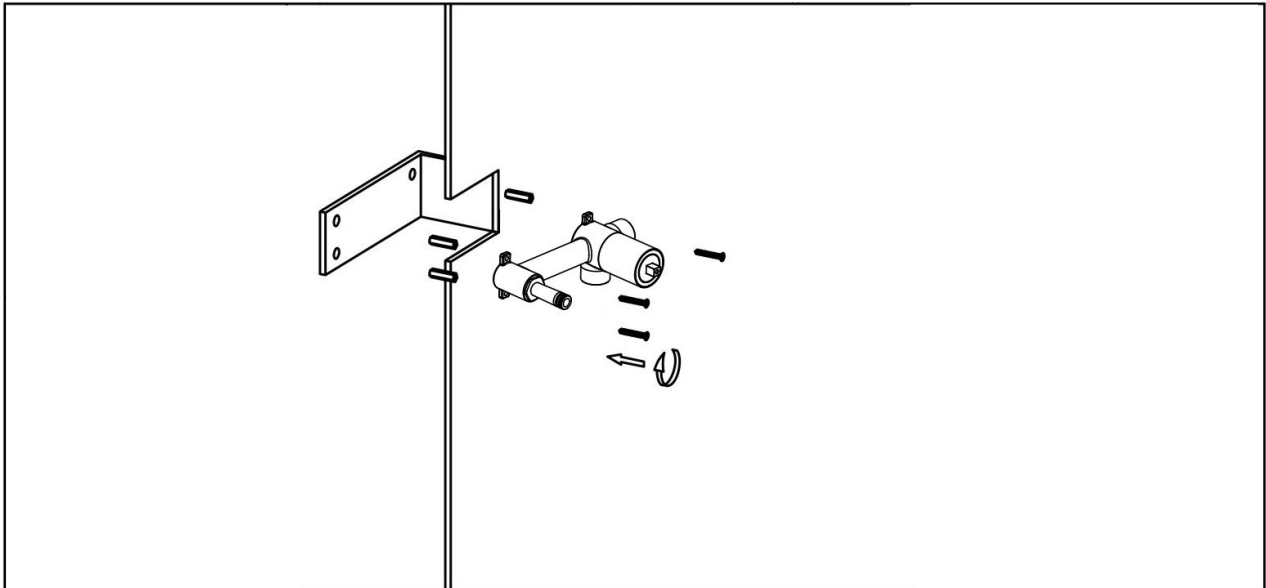
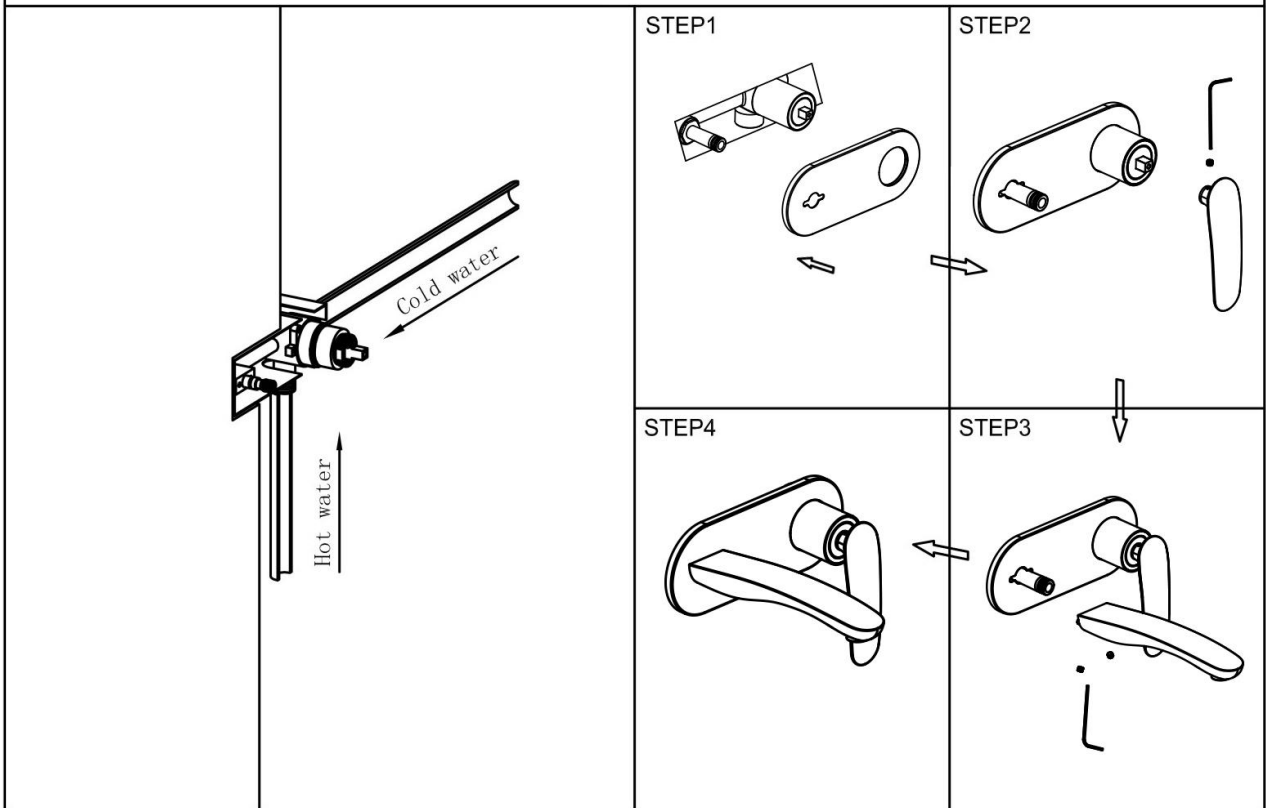


Fig 2

2.TYPE B



1、 Refer to essential dimension to measure the position of mixer ,knocked the self tapping rubber in the wall after drilling hole, then locked the mixer body and steel box in the wall by self tapping screw.



3、 Connect the body with the inlet pipes.

4、 Following above step,assemble the decoration plate、 handle and Spout.